

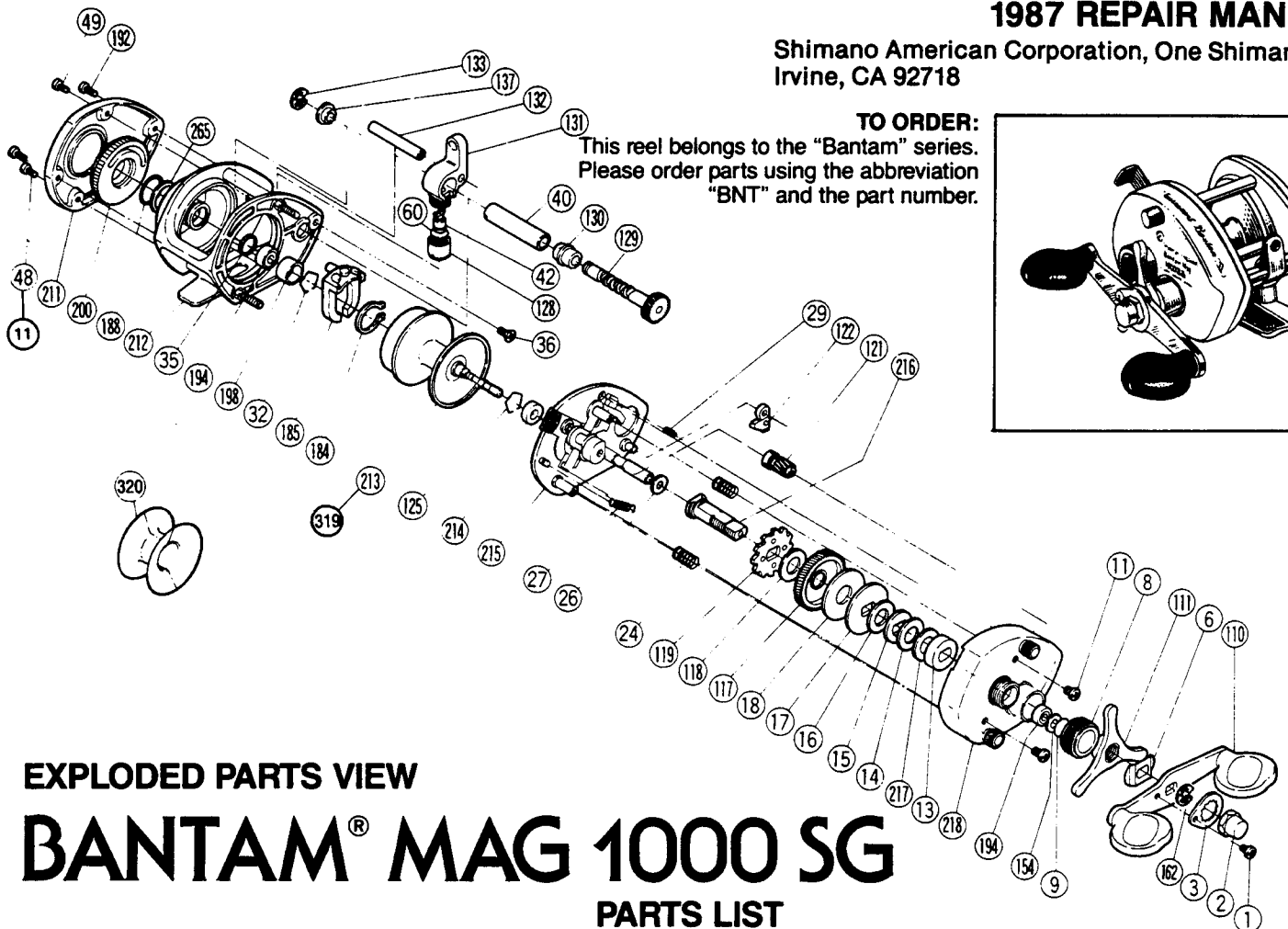
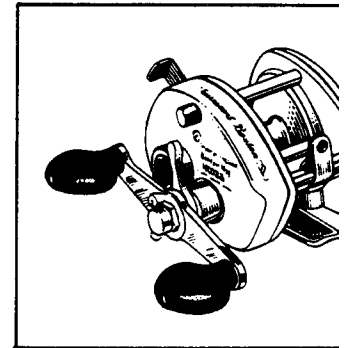
# SHIMANO

## 1987 REPAIR MAN

Shimano American Corporation, One Shimar  
Irvine, CA 92718

### TO ORDER:

This reel belongs to the "Bantam" series.  
Please order parts using the abbreviation  
"BNT" and the part number.



### EXPLODED PARTS VIEW

# BANTAM® MAG 1000 SG

## PARTS LIST

PART #	DESCRIPTION	PART #	DESCRIPTION	PART #	DESCRIPTION
1.	Handle Nut Lock Screw	42.	Level Wind Pawl	154.	Felt Oil Retainer
2.	Handle Nut	48.	Left Side Plate Screw	162.	"C" Lock
3.	Handle Nut Lock Plate	49.	Left Side Plate Screw	184.	Magnet Retainer Lock
6.	Friction Washer	60.	Pawl Shim (Optional)	185.	Magnet Retainer
8.	Cast Control Cap	110.	Handle	188.	O Ring
9.	Cast Control Spacer	111.	Drag Tri-Star	192.	Left Stabilizer Bar Screw
11.	Side Plate Screw	117.	Drive Gear	194.	Spool Shaft Bearing
13.	Drive Shaft Bearing	118.	Base Drag Washer	198.	Bearing Spacer
14.	Drag Spring Washer	119.	Anti Reverse Ratchet	200.	Magnetic Control Dial
15.	"D" Washer	121.	Pinion Gear	211.	Left Side Plate
16.	Drag Spacer	122.	Anti Reverse Dog	212.	Frame
17.	Pressure Plate	125.	Bearing Lock	213.	Spool (Old Type)
18.	Drag Washer	128.	Pawl Cap	214.	Spool Shaft Bushing
24.	Pinion Yoke Spring	129.	Level Wind Gear	215.	Set Plate
26.	Drive Shaft Shim	130.	Level Wind Bearing (Right)	216.	Drive Shaft
27.	Retractor Spring #1	131.	Line Guide	217.	"E" Washer
29.	Retractor Spring #2	132.	Stabilizer Bar	218.	Right Side Plate
32.	Bearing Lock	133.	Level Wind Gear Lock	265.	Thrust Washer
35.	Left Bearing Spacer	137.	Level Wind Bearing (Left)	319.	Spool (convertible)
36.	Right Stabilizer Bar Screw			320.	V-Spool Converter*
40.	Level Wind Guard				